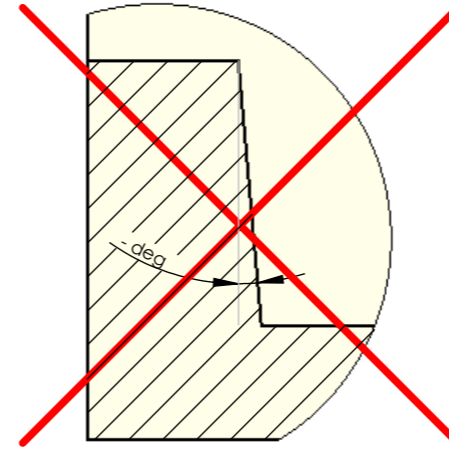
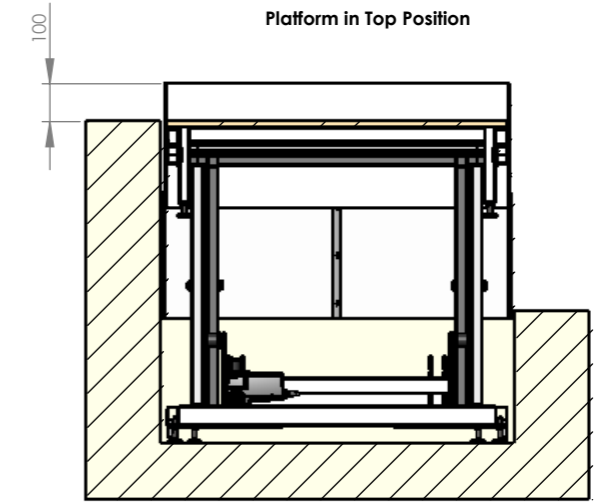


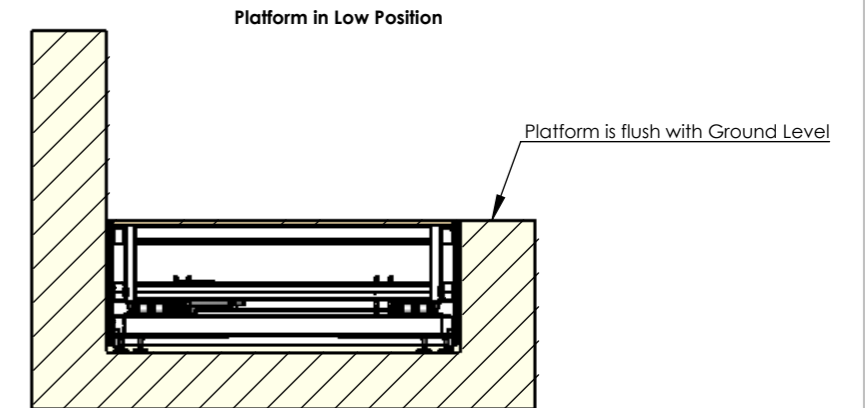
Allowed
Positive draft allowed



Not Allowed
Negative draft

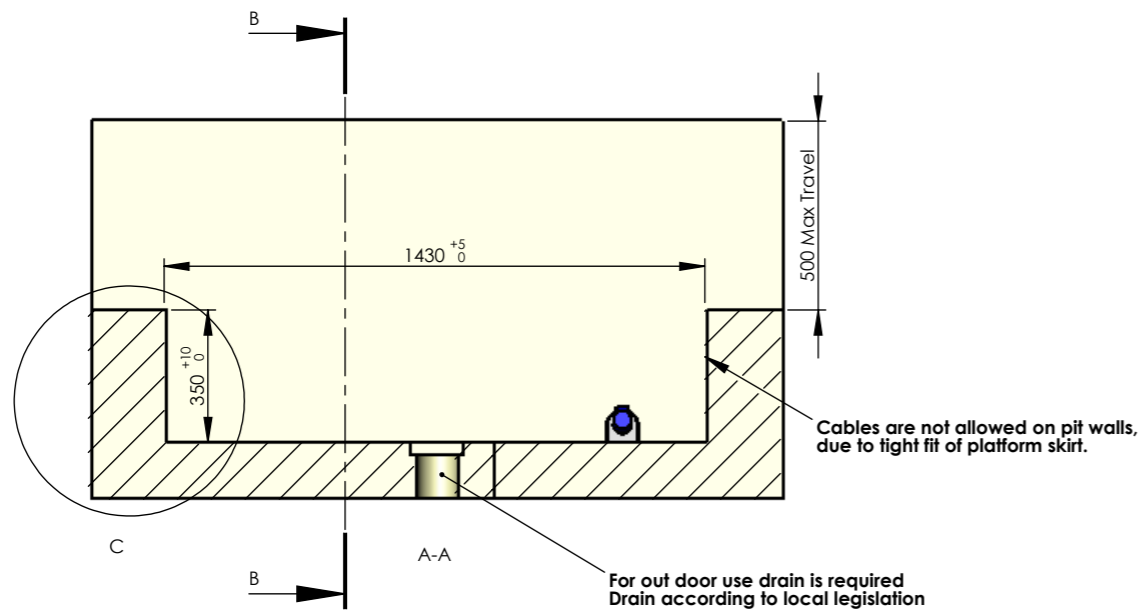


Platform in Top Position



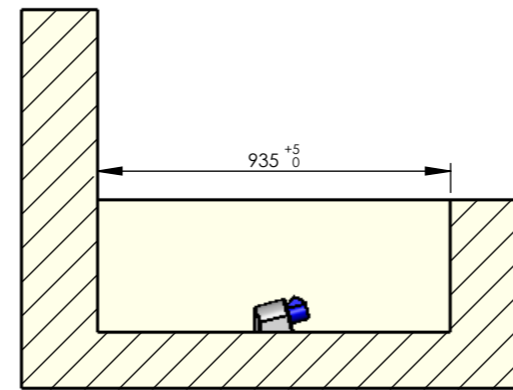
Platform in Low Position

Platform is flush with Ground Level



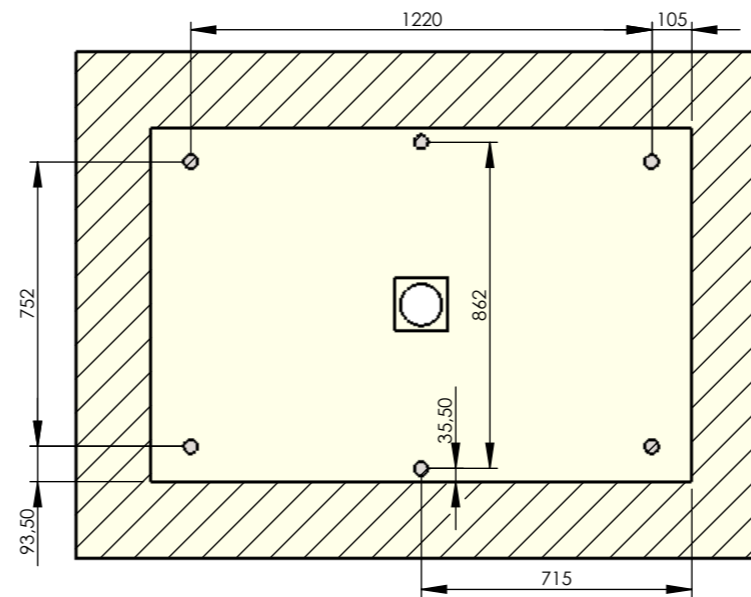
Cables are not allowed on pit walls,
due to tight fit of platform skirt.

For out door use drain is required
Drain according to local legislation

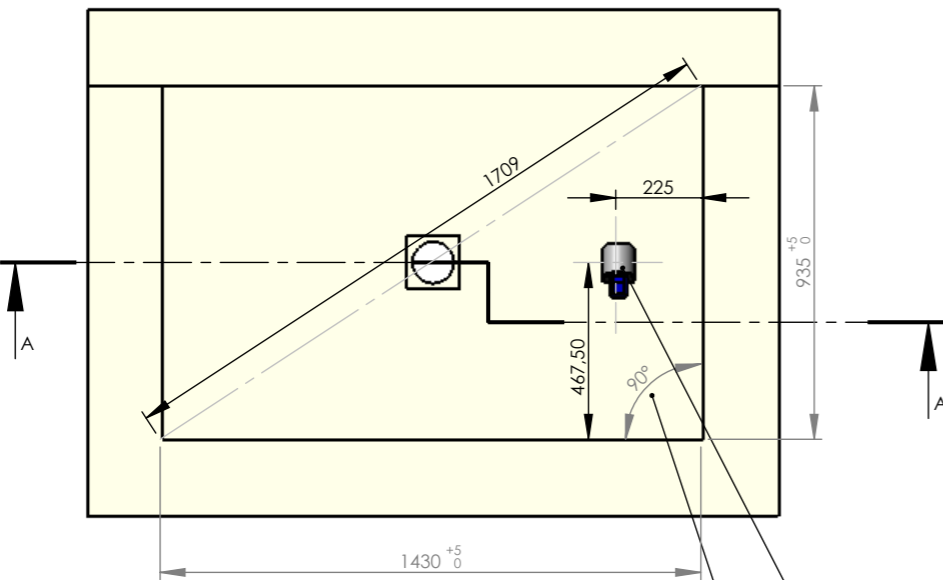
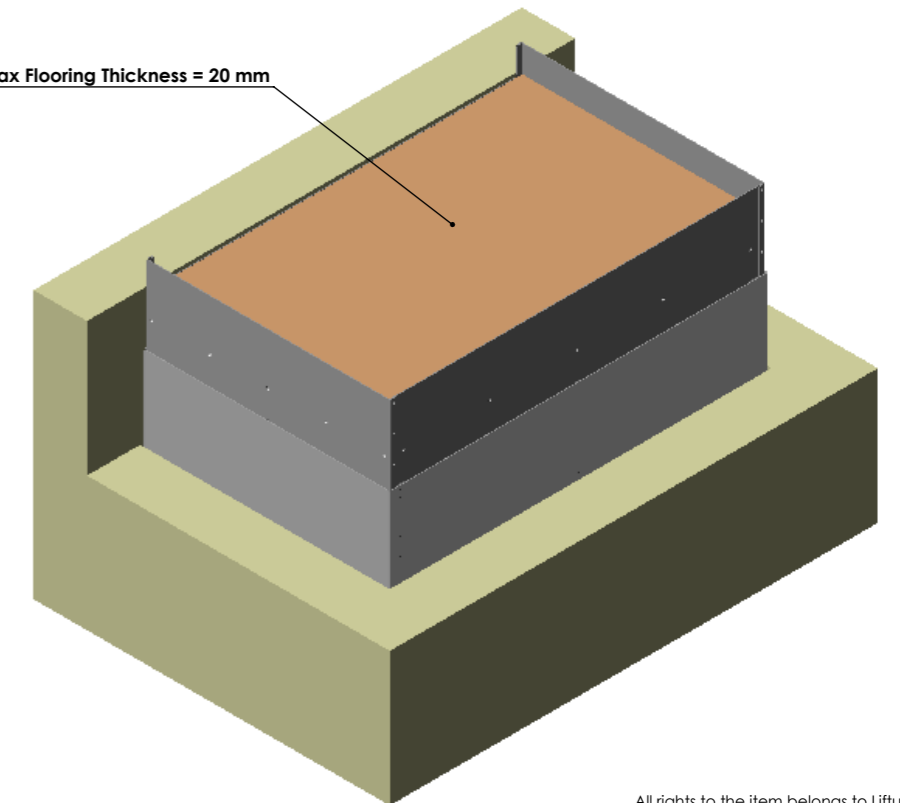


B-B

Platform support points



Max Flooring Thickness = 20 mm



CEE Wall Socket IP44 (Part no. 102126)
16 Ampere 3 Pole
Power connection 230 VAC 10 A
Position and type is important due to moving parts

All 4 corners

All rights to the item belongs to Liftup

Rev.	Revision description.	HDN 900x1400: Long Side Exit, Travel > 200 mm		LIFTUP	
G	-	Created date:	Last change date:	www.liftup.dk	
F	-		19-11-2012	Tlf.: 9686 3020	
E	-	Materiale:	Tolerancer:	Sheet size	Item Number:
D	-			A3	102139
C	-	Finish:	Weight:	Version:	B
B	-			Scale:	1:20