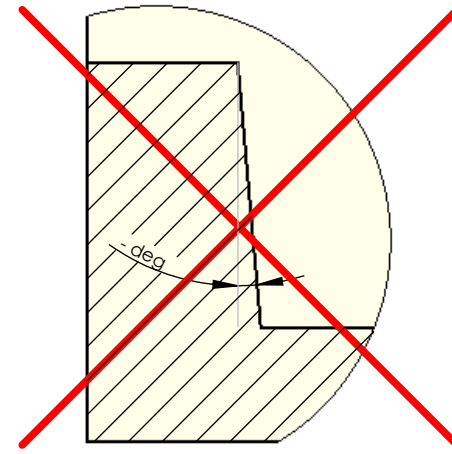
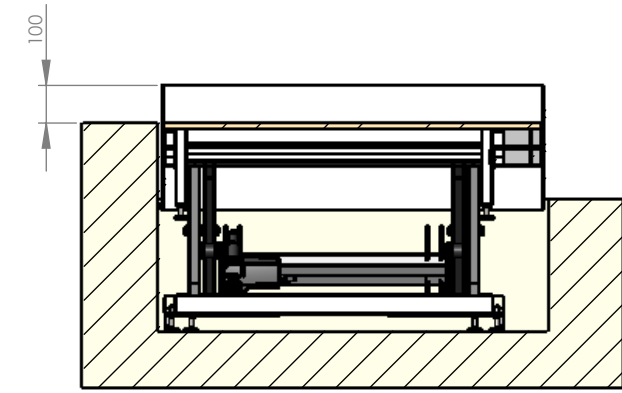


Allowed
Positive draft allowed

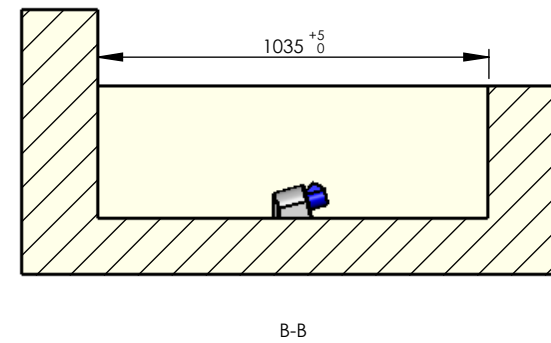
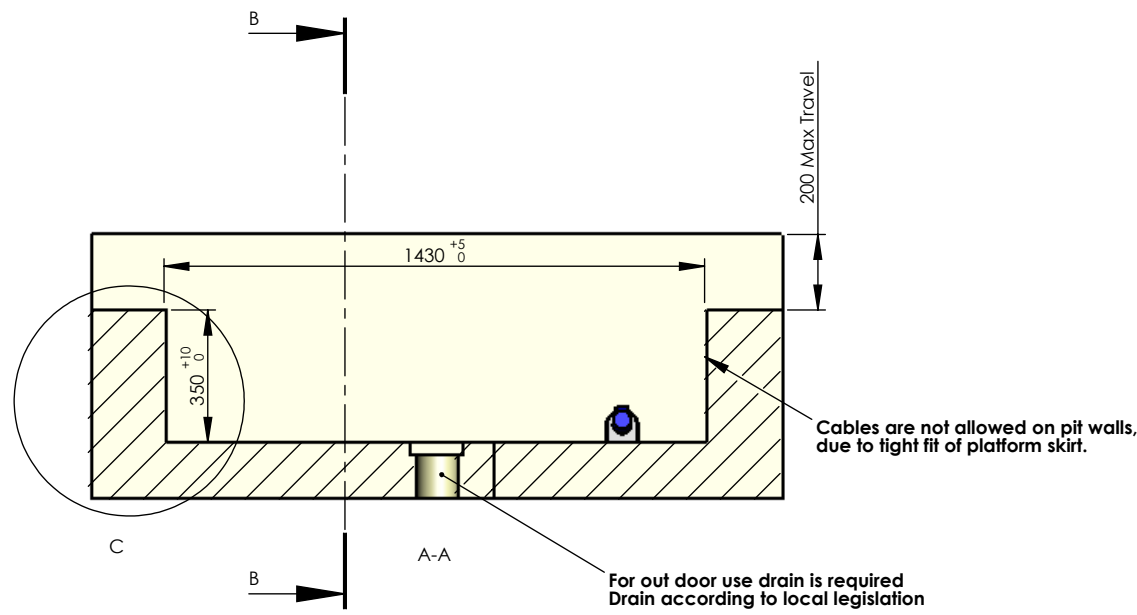
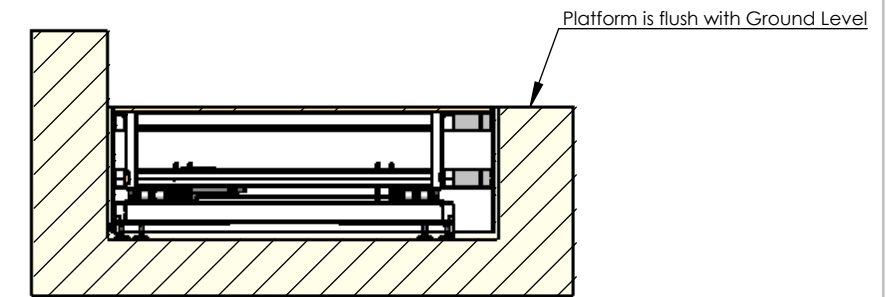


Not Allowed
Negative draft

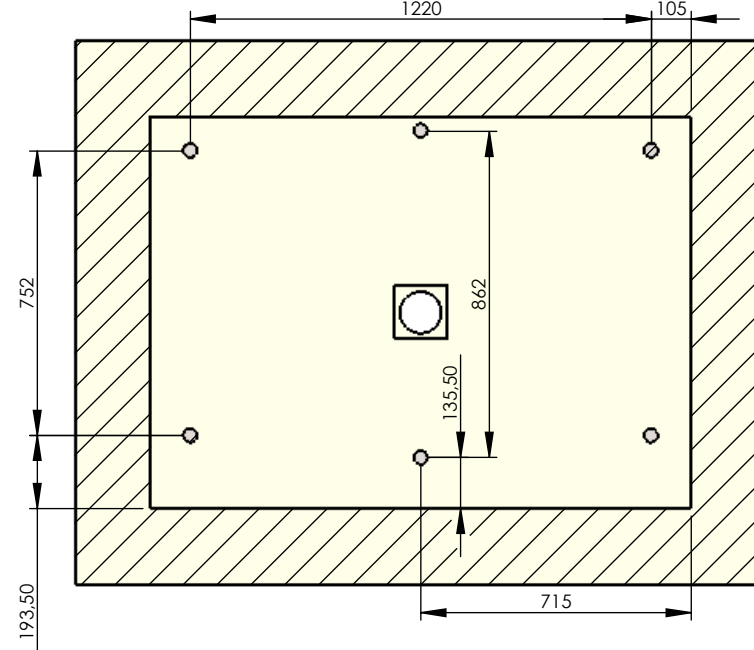
Platform in Top Position



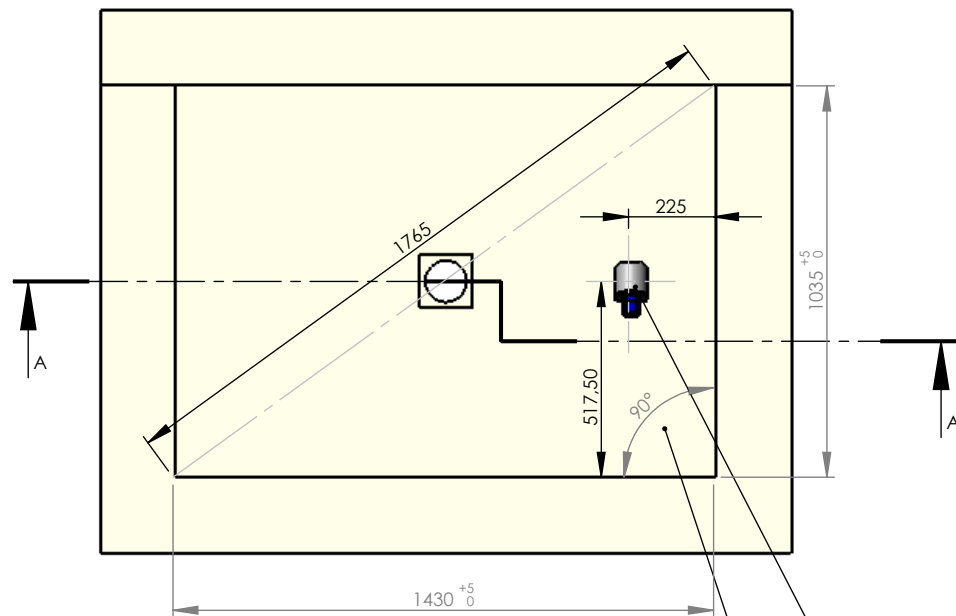
Platform in Low Position



Platform support points



Max Flooring Thickness = 20 mm



CEE Wall Socket IP44 (Part no. 102126)
16 Ampere 3 Pole
Power connection 230 VAC 10 A
Position and type is important due to moving parts

All 4 corners

Rev.	Revision description.	HDN 1000x1400: Long Side Exit, Travel < 200 mm		LIFTUP	
G	-	Created date:	Last change date:	www.liftup.dk	
F	-		27-02-2013	Tlf.: 9686 3020	
E	-	Materiale:	Tolerancer:	Sheet size	Item Number:
D	-			A3	101523
C	-	Finish:	Weight:	Version:	B
B	-			Scale:	1:20

All rights to the item belongs to Liftup